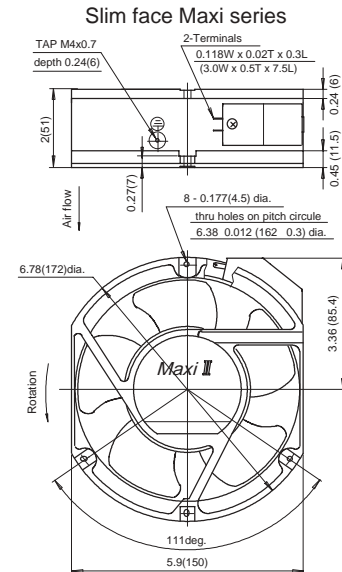
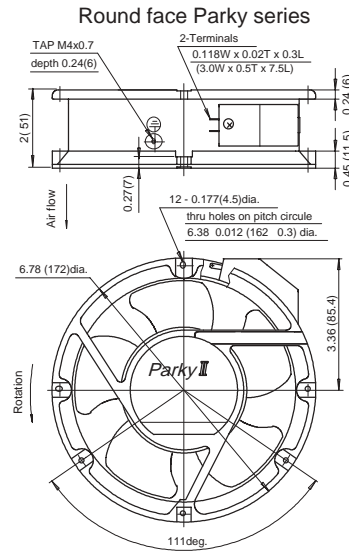
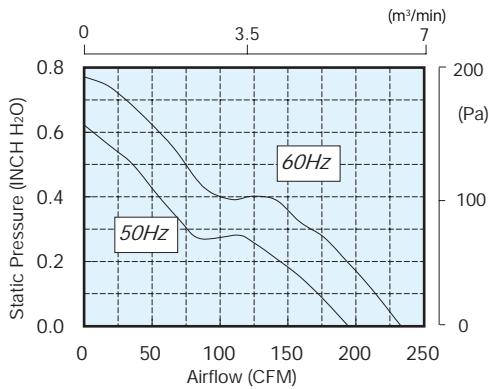


# AC AXIAL FANS

Size 6.78(172)

## AIR PERFORMANCE AND OUT LINE DRAWING : inch(mm)



## SPECIFICATIONS

Series	Max. air flow		Max. static pressure			Noise dB(A)	Rotation Spd. r/min	Voltage V(±10%)	Frequency Hz	Input W	Current mA	Rotor locked mA	Model code	safty std.
	m <sup>3</sup> /min	CFM	Pa	mmH <sub>2</sub> O	inH <sub>2</sub> O									
Round	5.5/ 6.5	194/ 230	152/ 186	15.5/ 19.0	0.61/ 0.75	46/ 50	2850 / 3400	100	50 / 60	32 / 28	400 / 310	620 / 600	PA55B3	UC
								200		32 / 28	200 / 150	300 / 300	PA60B3	UC
								115		29 / 28	270 / 250	470 / 460	PA2B3	UC
	5.5	194	152	15.5	0.61	46	2850	220 - 240	50	33	150	250	PA77B3	UC
6.5	230	186	19.0	0.75	50	3400	208 - 230	60	30	130	240			
Side flat	5.5/ 6.5	194/ 230	152/ 186	15.5/ 19.0	0.61/ 0.75	50 / 55	2850 / 3400	100	50 / 60	32 / 28	400 / 310	620 / 600	MA55B3	UC
								200		32 / 28	200 / 150	300 / 300	MA60B3	UC
								115		29 / 28	270 / 250	470 / 460	MA2B3	UC
	5.5	194	152	15.5	0.61	50	2850	220 - 240	50	33	150	250	MA77B3	UC
6.5	230	186	19.0	0.75	55	3400	208 - 230	60	30	130	240			

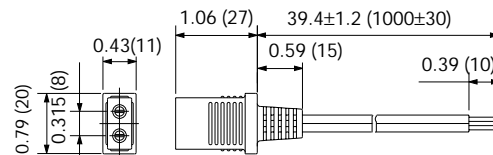
### Naming of ACfan VE2B2

- Inlet power connection**
  - 2: 2terminals
  - 3: CN model - 3 terminals (1 is for ground terminals)
  - Others - 2 terminals and M4tapped hole(for ground)
  - 5: Leads and M4tapped hole(for ground)
- Speed**
  - B : Normal speed
  - D, F: Low speed
- Voltage**
  - 2, 115: 115V 50/60Hz, 52: 208-230V 50/60Hz
  - 55: 100 50/60Hz, 60: 200 50/60Hz
  - 47: 100-120V 50/60Hz, 48: 200-240 50/60Hz
  - 50: 220V 50Hz /230V60Hz
  - 77: 220-240 50Hz /208-230 60Hz
- Series code as sq. x thickness by inch(mm)**

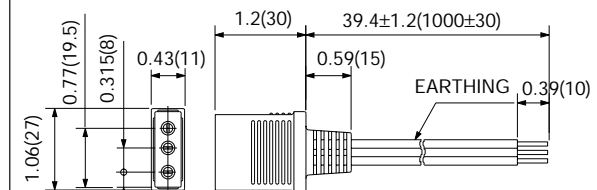
- VE: 3.15(80) x 1.0(25)
- WE: 3.6(926) x 1.0(25)
- KA: 3.6(92) x 1.5(38)
- CU: 4.72(120) x 1.0(25)
- CN: 4.72(120) x 1.5(38)
- SCNA: 4.72(120) x 1.5(38) Silent fan
- PA: 6.78(172) x 2.0(51)
- MA: 6.78(172) x 2.0(150) x 2.0(51)

### Accessary for ACfan

#### UL2Pcord



#### UL3Pcord



cable ; UL1015 AWG18